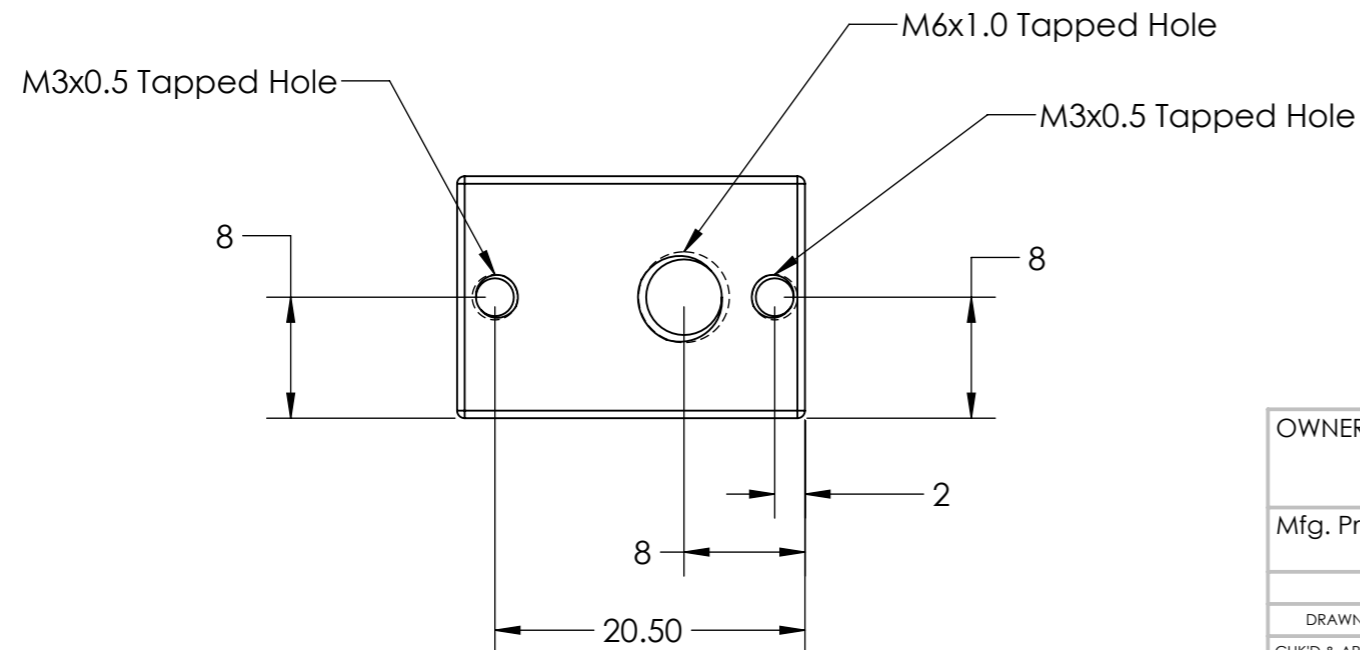



SECTION A-A



V6 Compatible Heat block for Cartridge Thermistor

OWNER/ COMPANY INFO. 				UNLESS OTHERWISE SPECIFIED: DIMENSIONS ARE IN MILLIMETERS TOLERANCE: ANGULAR: MACH ± 0.5 DEG TWO PLACE DECIMAL ± 0.25 THREE PLACE DECIMAL ± 0.125		TITLE: V6-Block	
Mfg. Process: Machining/ CNC Machining				DEBURR AND BREAK SHARP EDGES		DWG NO. Var/C/181004/000	
FINISH: UNFINISHED UNLESS STATED				MATERIAL: 1. 6061 Alloy 2. 6082 Alloy		REVISION A3	
DRAWN BY Sobug		SIGNATURE		DATE		SCALE:2:1	
CHK'D & APPV'D BY Richard						SHEET 1 OF 1	
WEIGHT (gm): 8.37		Qty.- 1 pcs					