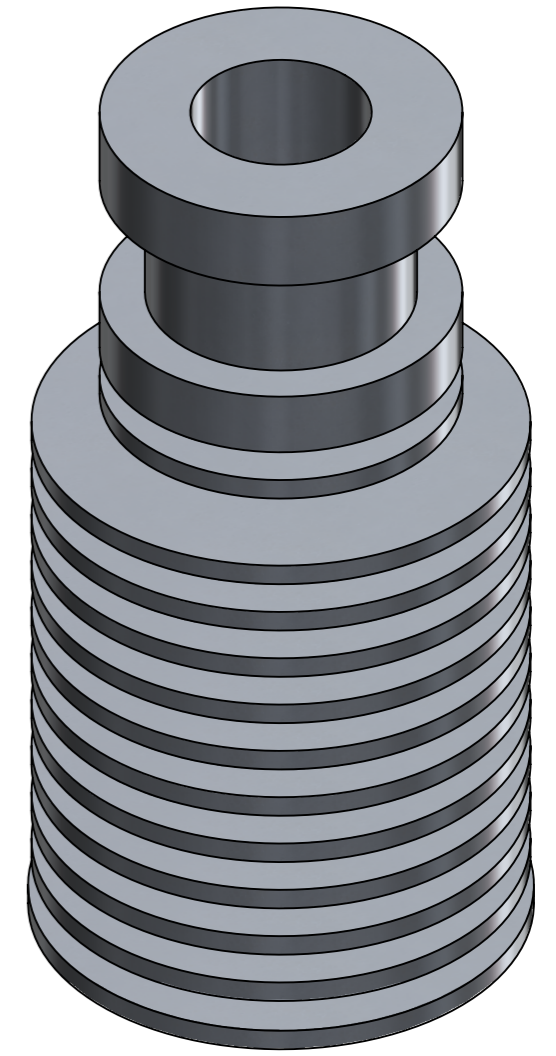



SECTION G-G

M7x1



OWNER/ COMPANY INFO.				UNLESS OTHERWISE SPECIFIED: DIMENSIONS ARE IN MILLIMETERS		TITLE:	
				TOLERANCE: ANGULAR: MACH ± 0.5 DEG		V6_Sink	
				TWO PLACE DECIMAL ± 0.25			
Mfg. Process:				FINISH:		DWG NO.	
Machining/ CNC Machining				UNFINISHED UNLESS OTHERWISE STATED ON PURCHASE ORDER			
MATERIAL:				WEIGHT (gm): 18.50		SCALE: 2:1	
DRAWN BY: Sobug CHK'D & APPV'D BY: Richard				Qty.- 1 pcs		SHEET 1 OF 1	
						REVISION	
						A3	
						A	

Var/C/181002/000

A3
REVISION
A